





4249-36-BLKE

Inner Space

Outside, Billie's volume, shape and size attracts. Inside, an unexpected central opening and curved interior astonish. The light flows on the entire inner surface of the shade for an efficient, uniform illumination.



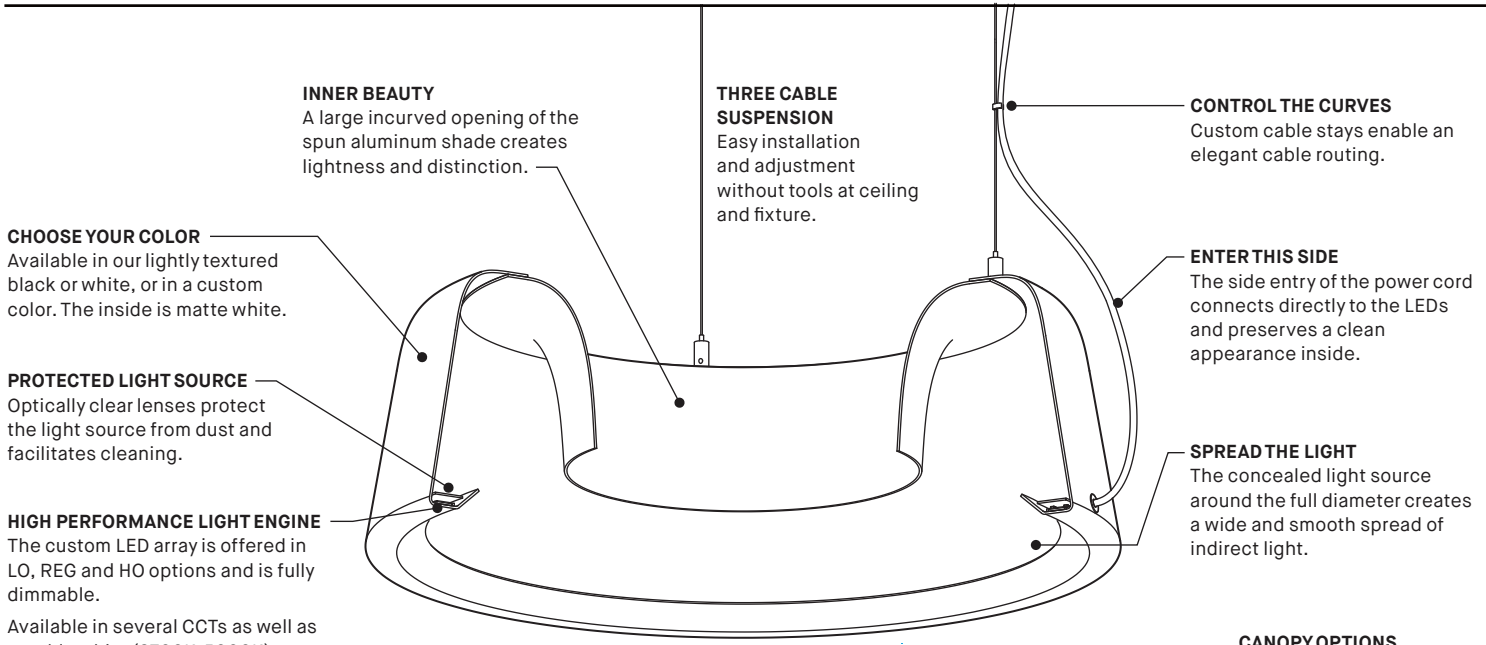




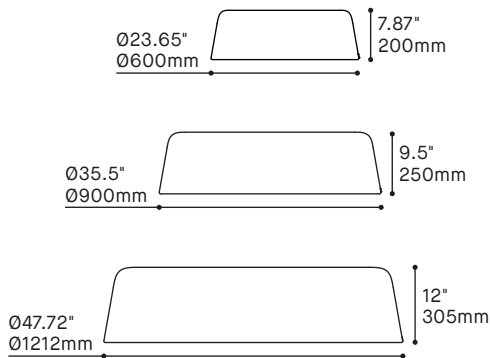
The lightness of Billie's soft curves creates a distinct look in a space. Choose Billie luminaires in 24", 36" or 48" diameters to carry an aesthetic throughout a space.

4249-24-WHE, 4249-36-WHE, 4249-48-WHE

TECHNICAL DATA

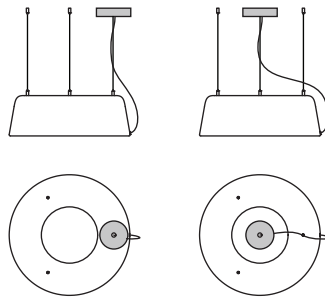


Available in several CCTs as well as tunable white (2700K-5000K).



3 VERSATILE SIZES
A variety of sizes to enhance a variety of spaces in creative ways.

CANOPY POSITION :



4249-XX
Canopy on mounting point (std)

4249-XX-RCC
Canopy on luminaire center / Straight cables

CANOPY OPTIONS

STANDARD

STANDARD CANOPY

2473F : STD
Ø5.50" x 1.35"
Ø140 x 34mm

nLight CANOPY

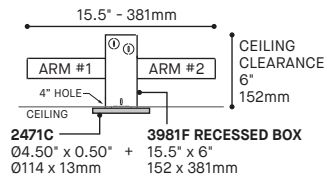
2474H :
nLight AIR,
nLight WIRED
Ø7.75" x 1.30"
Ø196.9 x 33mm

Ø48" HO & ALL TW (TUNABLE WHITE)

2475I : 48 HO STD, TW
Ø9.3" x 1.88"
Ø236 x 48mm

2475I :
48 HO nLight AIR,
nLight WIRED
Ø9.3" x 1.88"
Ø236 x 48mm

LOW PROFILE CANOPY

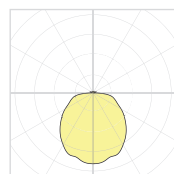


PRODUCT SPECIFICATION	4249-24-WHE					4249-36-WHE					4249-48-WHE			
	LO	REG	HO	LO TW	REG TW	LO	REG	HO	LO TW	REG TW	LO	REG	HO	LO TW
PERFORMANCE														
SYSTEM WATTAGE	20W	30W	52W	24W	33W	31W	48W	90W	36W	56W	47W	86W	138W	55W
DELIVERED LUMENS (4000K)	1099LM	1614LM	2482LM	1254LM	1635LM	2190LM	3222LM	5429LM	2427LM	3560LM	3651LM	6211LM	9142LM	4048LM
OTHER INFORMATION														
LUMINAIRE WEIGHT	10 LBS / 4.5 KG					15 LBS / 6.8 KG					25 LBS / 11 KG			
L70 (LUMEN MAINTENANCE) LO/REG/HO	> 60 000 HRS					> 60 000 HRS					> 60 000 HRS			
WELL STANDARD REQUIREMENTS														
MAX. LUMINANCE 45°-90° OF NADIR	1421 CD/M ² (AT HO)					1453 CD/M ² (AT HO)					1451 CD/M ² (AT HO)			
LIGHT QUALITY	R9 > 50 (90 CRI OPTION)					R9 > 50 (90 CRI OPTION)					R9 > 50 (90 CRI OPTION)			
FLICKERING TOLERANCE	LOW FLICKER, COMPLIANT TO CALIFORNIA TITLE 24					LOW FLICKER, COMPLIANT TO CALIFORNIA TITLE 24					LOW FLICKER, COMPLIANT TO CALIFORNIA TITLE 24			

EFFICACY MULTIPLIERS

CRI	CCT	FACTOR	TW FACTOR
80+	5000K	-	0.93
80+	4000K	-	1.00
80+	3500K	-	0.99
80+	3000K	-	0.98
80+	2700K	-	0.91
90+	4000K	1.00	-
90+	3500K	0.96	-
90+	3000K	0.92	-
90+	2700K	0.87	-

LIGHT DISTRIBUTION



4249-36-WHE LED.HO



Visit our website for warranty terms and conditions.







Billie has a big presence with a cozy feel. Its large volume creates a statement, yet the hollow, airy interior contributes to the intimacy of the space.

BILLIE 4249

PROJECT PROJET
SPEC TYPE
NOTES



FINISH FINI



BLKE

WHE

FAMILY FAMILLE

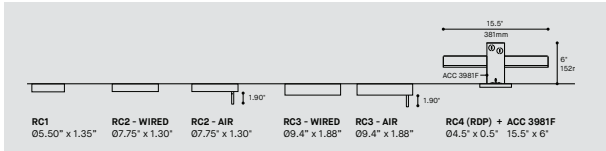


4249-24

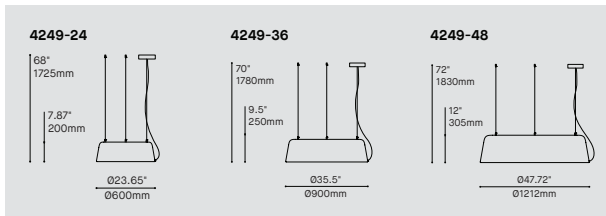
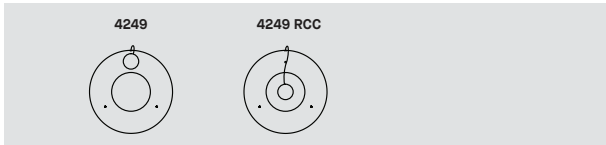
4249-36

4249-48

MOUNTING OPTIONS OPTIONS DE MONTAGE



MOUNTING CABLE OPTIONS OPTION DE MONTAGE CÂBLE



ORDERING SPECIFICATION SPÉCIFICATION DE COMMANDE		CODE
MODEL MODÈLE		
4249-24	BILLIE 24"	
4249-36	BILLIE 36"	
4249-48	BILLIE 48"	
LIGHT SOURCE SOURCE LUMINEUSE		
LED.LO	LOW OUTPUT	
LED	REGULAR OUTPUT	
LED.HO	HIGH OUTPUT	
COLOR TEMPERATURE TEMPÉRATURE DE COULEUR		
27*	2700K	
30	3000K	
35	3500K	
40	4000K	
* LONGER LEAD TIME MAY APPLY. PLEASE CONTACT YOUR EUREKA REPRESENTATIVE		
COLOR RENDERING INDEX (CRI) INDICE DE RENDU DE COULEUR (IRC)		90
90	90+ CRI	
VOLTAGE VOLTAGE		
120V	120 VOLT	
277V	277 VOLT	
CONTROL OPTION OPTION DE CONTRÔLE		
DV	0-10V DIMMING (120V-277V)	
DP	PHASE DIMMING (120V ONLY)	
NLTAIR2*	NLIGHT AIR CONTROL GEN 2	
NLIGHT*	NLIGHT WIRED CONTROL	
* EMERGENCY BATTERY NOT AVAILABLE WITH NLIGHT OPTIONS REFER TO NLIGHT GUIDE AND INSTALLATION SHEET FOR ALL REQUIREMENTS.		
DRIVER POSITION POSITION DU PILOTE		
RDP*	RECESSED DRIVER	
* 3981F ACCESSORY IS REQUIRED		
** PLEASE CONSULT FACTORY FOR RECESSED DRIVER WITH NLIGHT OPTIONS		
EMERGENCY BATTERY BATTERIE D'URGENCE		
FOR 120-277V ONLY. EM DRIVER BOX INCLUDED, INSTALLED REMOTELY. SEE EM GUIDE FOR DETAILS.		
EMB*	EMERGENCY BATTERY FOR REMOTE BOX	
*3981E ACCESSORY IS REQUIRED FOR THIS OPTION		
CABLE CÂBLE		AC
AC	AIRCRAFT MOUNTING, FIELD ADJUSTABLE	
CABLE LENGTH LONGUEUR DE CÂBLE		
60	60" AIRCRAFT CABLE (STD LENGTH)	
**	CUSTOM AIRCRAFT CABLE LENGTH (PLEASE SPECIFY) FOR OVERALL LENGTH, PLEASE CONTACT YOUR EUREKA REPRESENTATIVE	
MOUNTING MONTAGE		
ROUND CANOPY / PAVILLON ROND		
RC1	SCREWLESS CANOPY Ø5.50" X 1.35" (2473F) EXCEPT FOR 48" HO	
RC2	NLIGHT SCREWLESS CANOPY Ø7.75" X 1.30" (2474H)	
RC3	48" HO SCREWLESS CANOPY Ø9.4" X 1.88" (2475I)	
RC4*	RDP SCREWLESS Ø4.5" X 0.5" CANOPY (2471C)	
* 3981F ACCESSORY REQUIRED		
MOUNTING CABLE OPTION OPTION DE MONTAGE DE CÂBLE		
RCC	CENTERED ROUND CANOPY - STRAIGHT AIRCRAFT CABLES	
IF NO OPTION IS SELECTED, AN OFF-CENTERED ROUND CANOPY WITH STRAIGHT AIRCRAFT CABLES IS STANDARD		
CANOPY FINISH FINI PAVILLON		
BLKE	BLACK FINE TEXTURE	
WHE	WHITE FINE TEXTURE	
POWER CORD FINISH FINI CÂBLE D'ALIMENTATION		
BLK	BLACK POWER CORD	
WH	WHITE POWER CORD	
EXTERIOR SHADE FINISH FINI ABAT-JOUR EXTÉRIEUR (A)		
BLKE	BLACK FINE TEXTURE	
WHE	WHITE FINE TEXTURE	
RAL*	PLEASE SPECIFY RAL CODE	
* LONGER LEAD TIME MAY APPLY. PLEASE CONTACT YOUR EUREKA REPRESENTATIVE		
(A) SHADE INTERIOR IS ALWAYS WHITE		
ACCESSORY ACCESSOIRE		
ALL ACCESSORIES ARE AVAILABLE FOR ADVANCE SHIPPING		
3981F	JUNCTION BOX FOR RECESSED DRIVER OPTION (RDP)	
ACCESSORY EMERGENCY BATTERY / ACCESSOIRE BATTERIE D'URGENCE		
3981EA	ELECTRICAL BOX FOR EMB EMERGENCY BATTERY	

PRODUCT CHARACTERISTICS CARACTÉRISTIQUES DU PRODUIT



BILLIE 4249 TUNABLE WHITE

PROJECT PROJET
SPEC TYPE
NOTES



FINISH FINI



BLKE

WHE

FAMILY FAMILLE

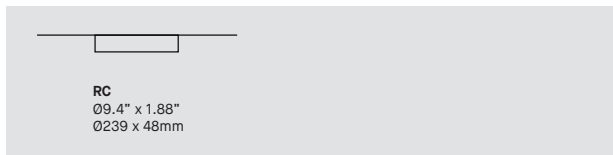


4249-24

4249-36

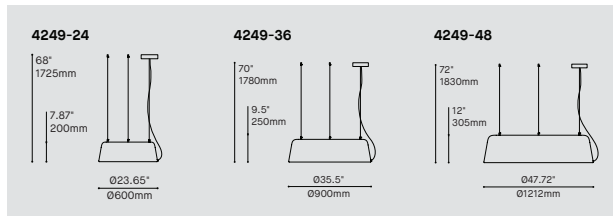
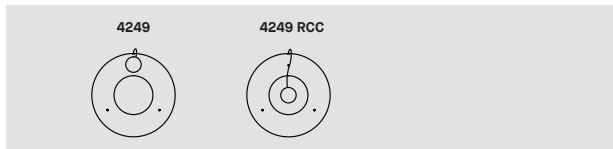
4249-48

MOUNTING OPTIONS OPTIONS DE MONTAGE



RC
09.4" x 1.88"
0239 x 48mm

MOUNTING CABLE OPTIONS OPTION DE MONTAGE CÂBLE



ORDERING SPECIFICATION	SPÉCIFICATION DE COMMANDE	CODE
MODEL MODÈLE		
4249-24	BILLIE 24"	
4249-36	BILLIE 36"	
4249-48	BILLIE 48"	
LIGHT SOURCE SOURCE LUMINEUSE		
LED.LO	LOW OUTPUT	
LED	REGULAR OUTPUT (24" & 36" ONLY)	
COLOR TEMPERATURE TEMPÉRATURE DE COULEUR		TW
TW*	TUNABLE WHITE (2700K TO 5000K) * LONGER LEAD TIME MAY APPLY. PLEASE CONTACT YOUR EUREKA REPRESENTATIVE	
COLOR RENDERING INDEX (CRI) INDICE DE RENDU DE COULEUR (IRC)		80
80	80+ CRI	
VOLTAGE VOLTAGE		
120V	120 VOLT	
277V	277 VOLT	
CONTROL OPTION OPTION DE CONTRÔLE		
DV	0-10V DIMMING	
NLT*	NLIGHT NTUNE CONTROL * REFER TO NLIGHT GUIDE AND INSTALLATION SHEET FOR ALL REQUIREMENTS.	
CABLE CÂBLE		AC
AC	AIRCRAFT MOUNTING, FIELD ADJUSTABLE	
CABLE LENGTH LONGUEUR DE CÂBLE		
60	60" AIRCRAFT CABLE (STD LENGTH)	
**	CUSTOM AIRCRAFT CABLE LENGTH (PLEASE SPECIFY) FOR OVERALL LENGTH, PLEASE CONTACT YOUR EUREKA REPRESENTATIVE	
MOUNTING MONTAGE		RC
RC	ROUND CANOPY / PAVILLON ROND SCREWLESS CANOPY Ø9.4" X 1.88" (2475I)	
MOUNTING CABLE OPTION OPTION DE MONTAGE DE CÂBLE		
RCC	CENTERED ROUND CANOPY – STRAIGHT AIRCRAFT CABLES IF NO OPTION IS SELECTED, AN OFF-CENTERED ROUND CANOPY WITH STRAIGHT AIRCRAFT CABLES IS STANDARD	
CANOPY FINISH FINI PAVILLON		
BLKE	BLACK FINE TEXTURE	
WHE	WHITE FINE TEXTURE	
POWER CORD FINISH FINI CÂBLE D'ALIMENTATION		
BLK	BLACK POWER CORD	
WH	WHITE POWER CORD	
EXTERIOR SHADE FINISH FINI ABAT-JOUR EXTÉRIEUR (A)		
BLKE	BLACK FINE TEXTURE	
WHE	WHITE FINE TEXTURE	
RAL*	PLEASE SPECIFY RAL CODE * LONGER LEAD TIME MAY APPLY. PLEASE CONTACT YOUR EUREKA REPRESENTATIVE (A) SHADE INTERIOR IS ALWAYS WHITE	

PRODUCT CHARACTERISTICS CARACTÉRISTIQUES DU PRODUIT



DESIGN :	Billie offers a large visual presence with an attractive rounded conical shape. The inside reveals a center opening enticing the observers to ponder the origin of illumination. It is well suited to visually impact several spaces with a variety of luminaires or to define a single gathering space. Easy to adjust and level aircraft cable mounting at both ceiling and fixture level. A full-scale installation template is provided.
INSTALLATION :	The fully indirect custom LED light source illuminates the complete inner surface giving access to a high lumen output while conserving a softly lit appearance.
LIGHT SOURCE :	Spun aluminum shade optimized to reduce glare. Finished offered in fine textured black or white, or in a custom RAL color.
SHADE :	
CONCEPTION :	Billie offre avec son cône au volume généreux une grande présence visuelle. En son centre, l'ouverture intrigante incite l'observateur à s'enquérir de la source de l'éclairage. Avec sa variété de formats et d'intensités, Billie peut éclairer plusieurs lieux d'un projet ou bien définir un espace avec un seul luminaire.
INSTALLATION :	Facile à installer, ajuster et mettre à niveau grâce au montage par câble d'acier inoxydable. Un gabarit d'installation à l'échelle 1:1 est fourni.
SOURCE LUMINEUSE :	DEL qui éclairent indirectement une large surface intérieure offrant un éclairage puissant mais sans éblouissement.
ABAT-JOUR :	Abat-jour en aluminium tourné conçu pour un confort visuel optimal. Offert avec une finition noire ou blanche à texture fine ou une couleur personnalisée RAL.



Billie's design integrates a distinctive power cord that extends from the fixture's lower side for a truly unique look.

PHOTOMETRIC REPORT

BILLIE 4249

4249-24-WHE LED.LO

CCT (K):	4000
Delivered Lumens (lm):	1099
System wattage (W)*:	20
Distribution:	Direct
Delivered Efficacy (lm/W):	54.45
Photometric type	C

4249-24-WHE LED.HO

CCT (K):	4000
Delivered Lumens (lm):	2482
System wattage (W)*:	52
Distribution:	Direct
Delivered Efficacy (lm/W):	47.7
Photometric type	C

4249-24-WHE LED.REG

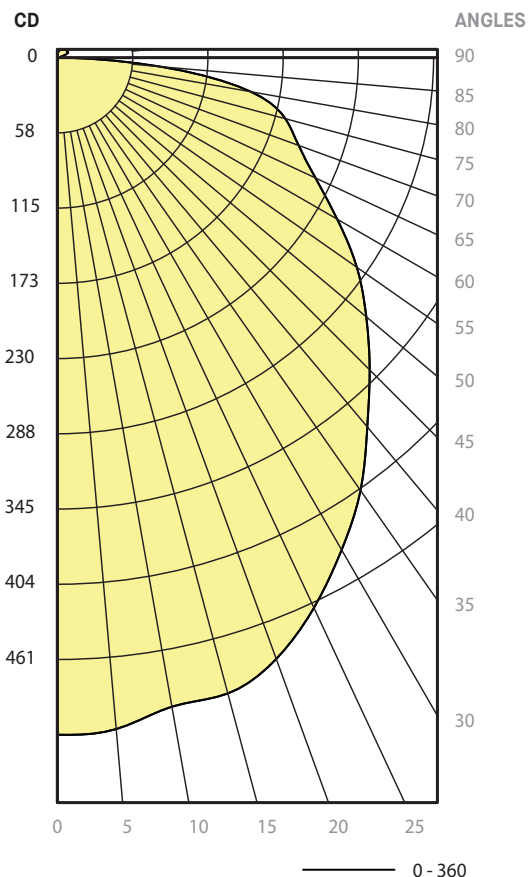
CCT (K):	4000
Delivered Lumens (lm):	1614
System wattage (W)*:	30
Distribution:	Direct
Delivered Efficacy (lm/W):	53.8
Photometric type	C

4249-24-WHE LED.LO-TW

CCT (K):	4000
Delivered Lumens (lm):	1254
System wattage (W)*:	24
Distribution:	Direct
Delivered Efficacy (lm/W):	52.2
Photometric type	C

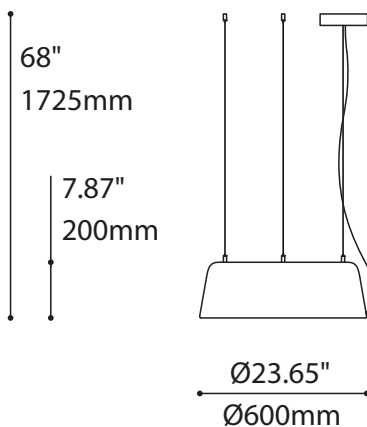
Photometric distribution :

4249-24-WHE LED.REG



4249-24-WHE LED.REG-TW

CCT (K):	4000
Delivered Lumens (lm):	1635
System wattage (W)*:	33
Distribution:	Direct
Delivered Efficacy (lm/W):	49.6
Photometric type	C



PHOTOMETRIC REPORT

BILLIE 4249

4249-36-WHE LED.LO

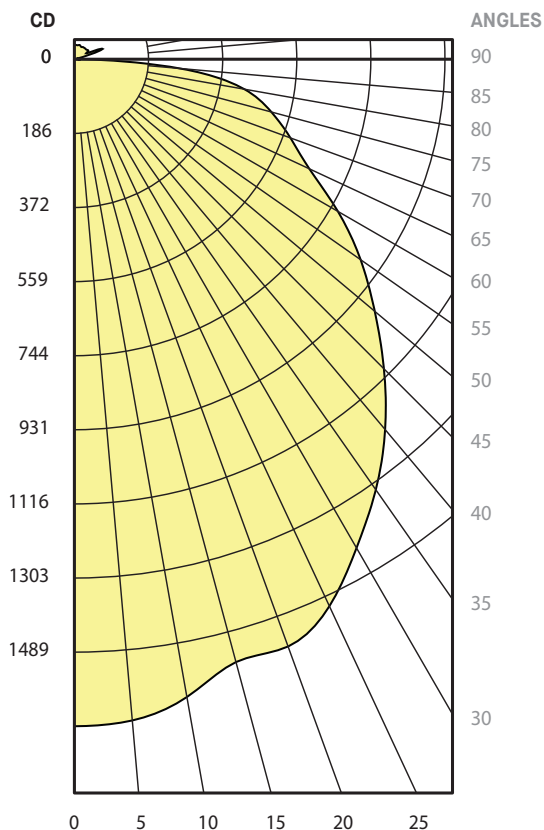
CCT (K):	4000
Delivered Lumens (lm):	2190
System wattage (W)*:	31
Distribution:	Direct
Delivered Efficacy (lm/W):	70
Photometric type	C

4249-36-WHE LED.REG

CCT (K):	4000
Delivered Lumens (lm):	3222
System wattage (W)*:	48
Distribution:	Direct
Delivered Efficacy (lm/W):	67.1
Photometric type	C

Photometric distribution :

4249-36-WHE LED.HO



0-360

4249-36-WHE LED.HO

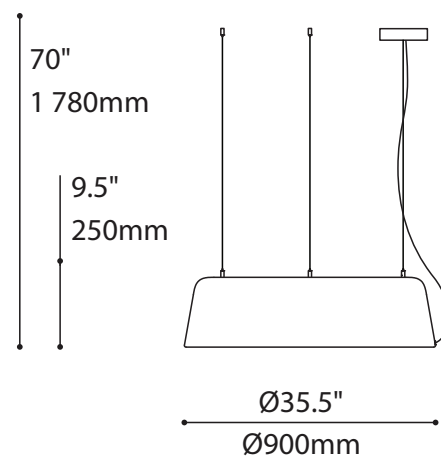
CCT (K):	4000
Delivered Lumens (lm):	5429
System wattage (W)*:	90
Distribution:	Direct
Delivered Efficacy (lm/W):	60
Photometric type	C

4249-36-WHE LED.LO - TW

CCT (K):	4000
Delivered Lumens (lm):	2427
System wattage (W)*:	36
Distribution:	Direct
Delivered Efficacy (lm/W):	67.4
Photometric type	C

4249-36-WHE LED.REG-TW

CCT (K):	4000
Delivered Lumens (lm):	3560
System wattage (W)*:	56
Distribution:	Direct
Delivered Efficacy (lm/W):	63.6
Photometric type	C



PHOTOMETRIC REPORT

BILLIE 4249

4249-48-WHE LED.LO

CCT (K):	4000
Delivered Lumens (lm):	3651
System wattage (W)*:	47
Distribution:	Direct
Delivered Efficacy (lm/W):	77.6
Photometric type	C

4249-48-WHE LED.HO

CCT (K):	4000
Delivered Lumens (lm):	9142
System wattage (W)*:	138
Distribution:	Direct
Delivered Efficacy (lm/W):	66.2
Photometric type	C

4249-48-WHE LED.REG

CCT (K):	4000
Delivered Lumens (lm):	6211
System wattage (W)*:	86
Distribution:	Direct
Delivered Efficacy (lm/W):	72.2
Photometric type	C

4249-48-WHE LED.LO - TW

CCT (K):	4000
Delivered Lumens (lm):	4048
System wattage (W)*:	55
Distribution:	Direct
Delivered Efficacy (lm/W):	73.6
Photometric type	C

Photometric distribution :

4249-48-WHE LED.REG

